



Product Name: TA-T22B Series Terminal Antenna

Part Number: TA-T22B-A-X02

Features:

- External Type Monopole Antenna
- Support 410~440MHz
- Connector: SMA(Male)
- Plastic Rod of Black
- RoHS & REACH Compliant

Applications:

- Machine to Machine Communication & IOT Application
- Fleet Management & Telematics
- Vehicle Tracking

410~440MHz Monopole Antenna

MODEL: TA-T22B-A-X02

Rev.A

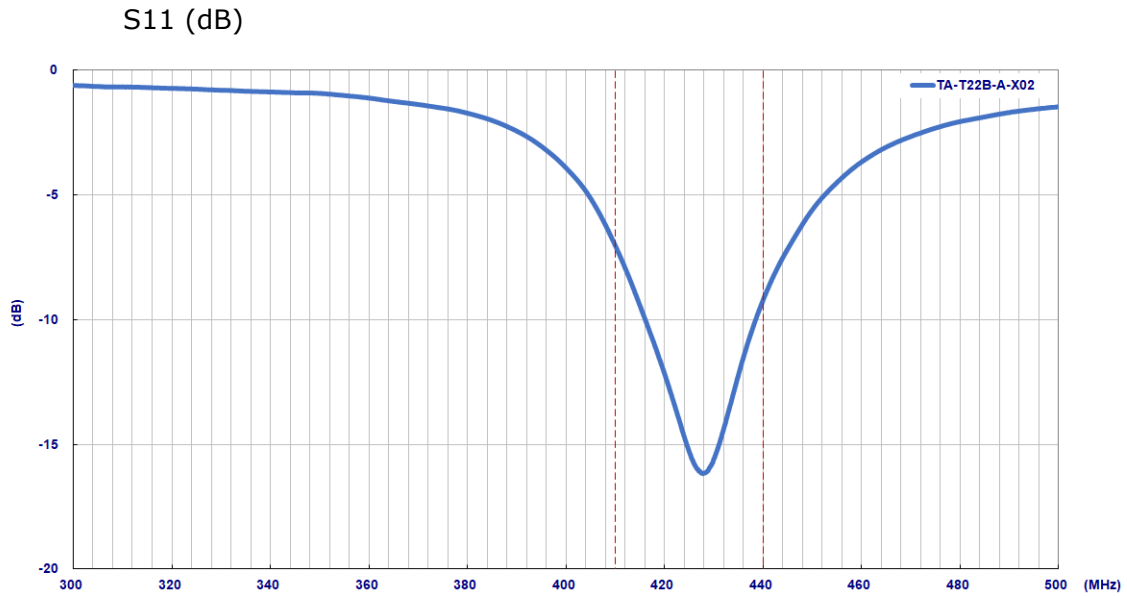
I. Specifications:

Items	Specifications
Frequency (MHz)	410 ~ 440
V.S.W.R	< 3
Return Loss (dB)	< -6
Test Condition (mm)	215 x 125 x 16.5 (With Box)
Impedance (Ω)	50
Polarization	Linear
Color	Black
Connector	SMA (Male)
Dimension (mm)	ϕ 10(D) x 83(L)
Environmental Conditions	
Operation Temperature ($^{\circ}$ C)	-40 ~ +85
Storage Temperature ($^{\circ}$ C)	-40 ~ +85

© Unictron Technologies Corp.
All specifications subject to change without notice.

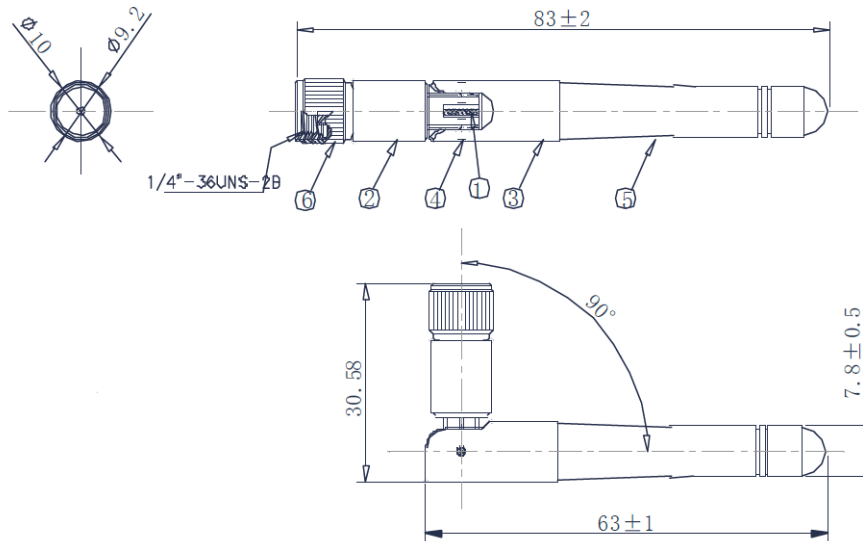


II. Antenna Technical Parameters:



© Unictron Technologies Corp.
All specifications subject to change without notice.

III. Mechanical Drawing (Unit:mm):



6	CONN	SMA Male for RG-178 Cable	1
5	Antenna Cover	67.5(L) x 9.35(D) mm TPEE Black	1
4	Rivet	5.1(L) x 2.4(D) mm POM Black	2
3	Antenna Base	28.8(L) x 9.35(D) mm PC Black	1
2	Antenna Base	24.7(L) x 9.35(D) mm PC Black	1
1	Cable	RG-178 Cable 50Ω Black	1
NO	NAME	Q'TY	Q'TY