



**Product Name:** WLAN Terminal Antenna

**Part Number:** TA-39B-A-W01

**Features:**

- Support WiFi Band 2.4GHz
- Straight Length: 51.6mm
- Hinge Rotatable 90 Degree
- Connector : RSMA (Male)
- Part material (hexavalent black chromium) cannot reach ROHS

**Applications:**

- WiFi Router Application
- Smart Metering Application
- IoT Device Application

# WLAN Terminal Antenna

## MODEL: TA-39B-A-W01

Rev.A

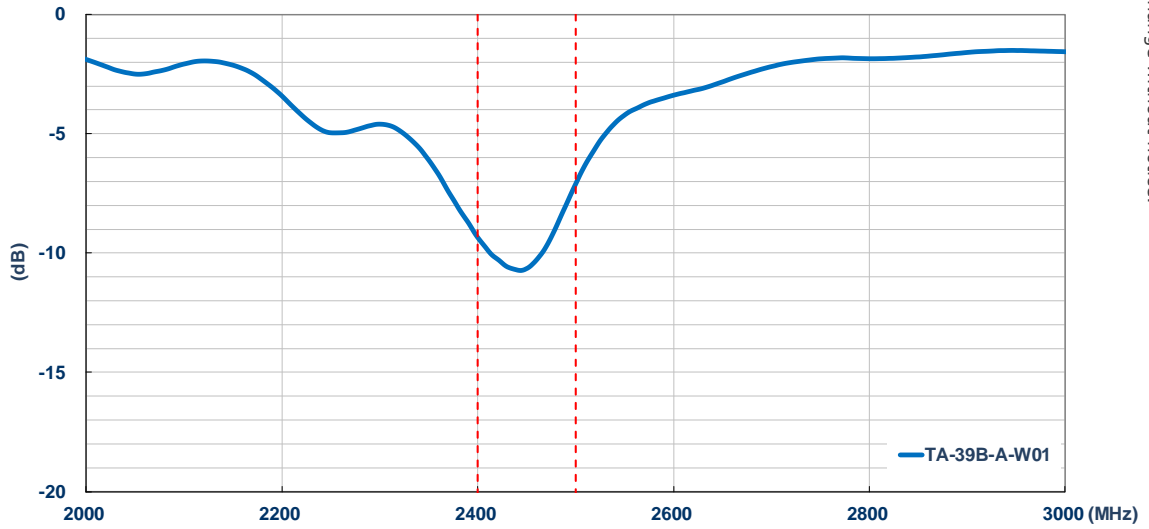
### I. Specifications:

Items	Specifications		
<b>Frequencies (MHz)</b>	2400	2450	2500
<b>Efficiency (%)</b>	70.96	72.61	52.97
<b>Average Gain (dBi)</b>	-1.49	-1.39	-2.76
<b>Peak Gain (dBi)</b>	1.92	1.99	1.19
<b>V.S.W.R</b>	< 3		
<b>Return Loss (dB)</b>	< -6		
<b>Impedance (<math>\Omega</math>)</b>	50		
<b>Polarization</b>	Linear		
<b>Mechanical</b>			
<b>Connector</b>	Reverse SMA (Male)		
<b>Dimensions (mm)</b>	8.8(D) x 51.6(L)		
<b>Waterproof Resistant</b>	IP52		
<b>Environmental Conditions</b>			
<b>Operation Temperature (<math>^{\circ}\text{C}</math>)</b>	-25 ~ +55		
<b>Storage Temperature (<math>^{\circ}\text{C}</math>)</b>	-40 ~ +85		

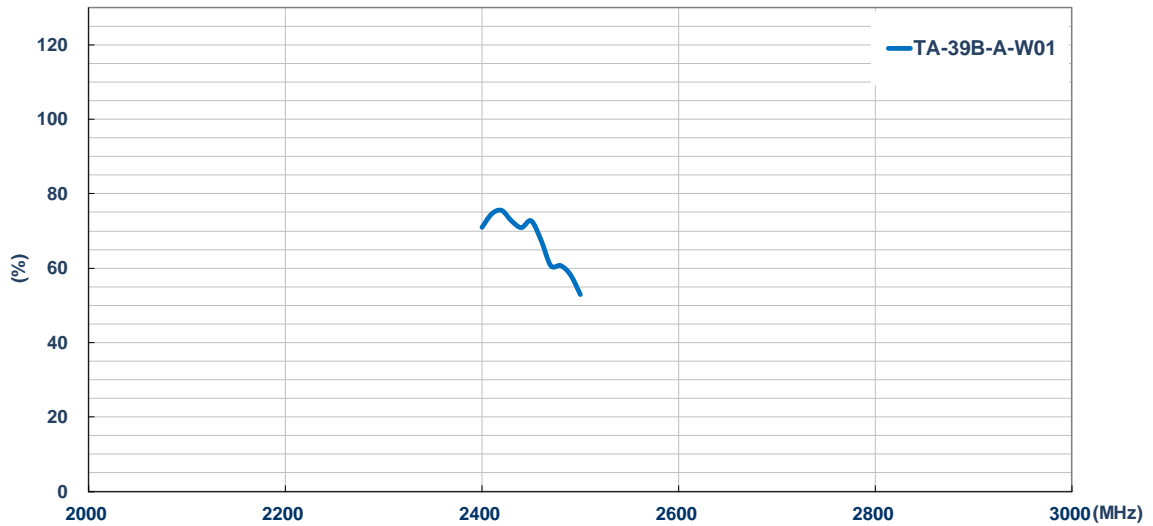
© Unictron Technologies Corp.  
All specifications subject to change without notice.

## II. Antenna Technical Parameters:

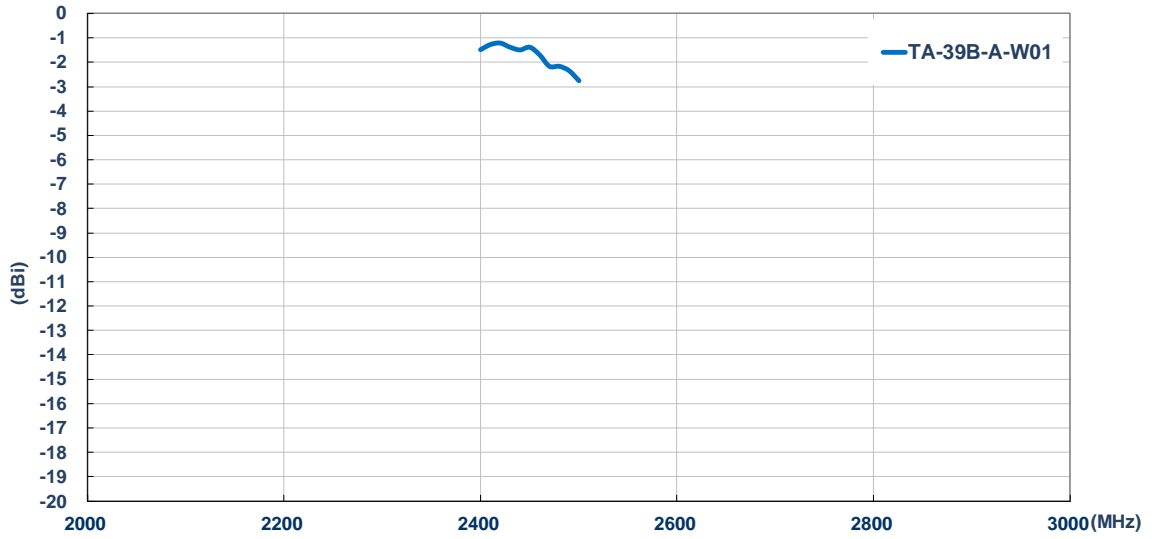
S11-parameters (dB)



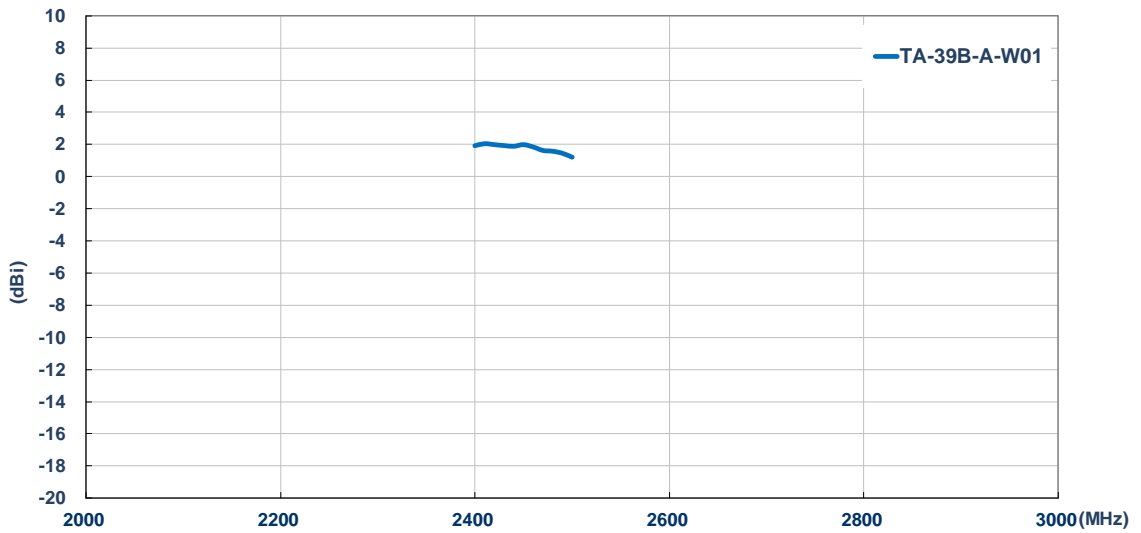
Efficiency (%)



Average Gain (dBi)

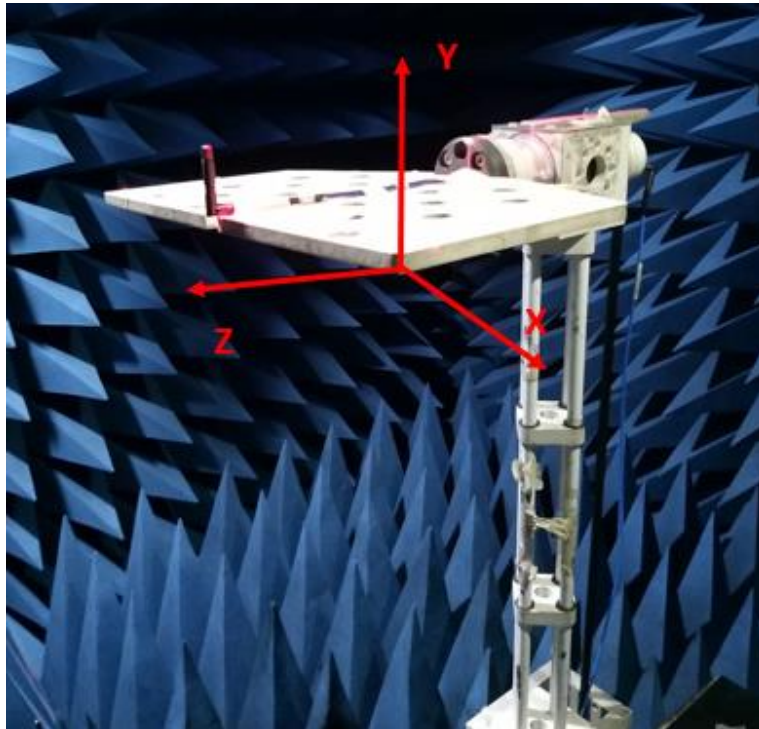


Peak Gain (dBi)

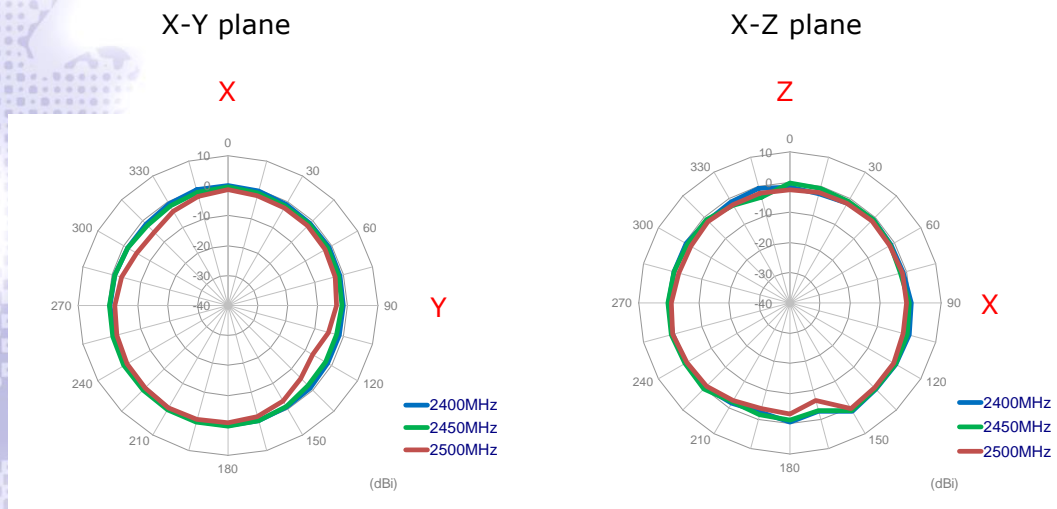


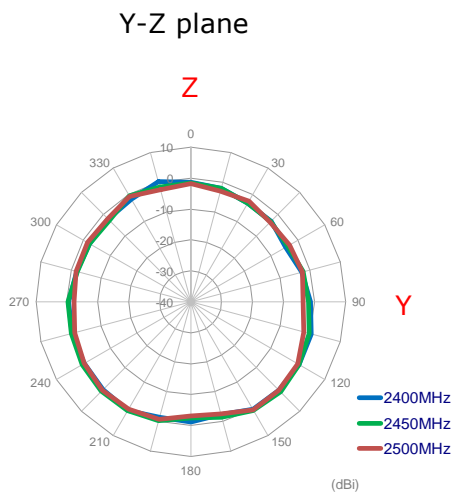
### III. Antenna Radiation Pattern Measurement:

The antenna radiation patterns are measured in 3D Anechoic Chamber. The measurement setup is as show below,

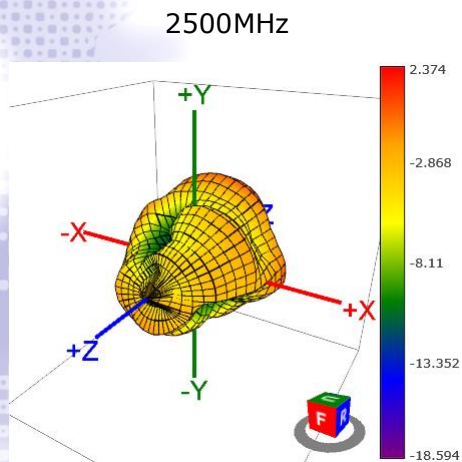
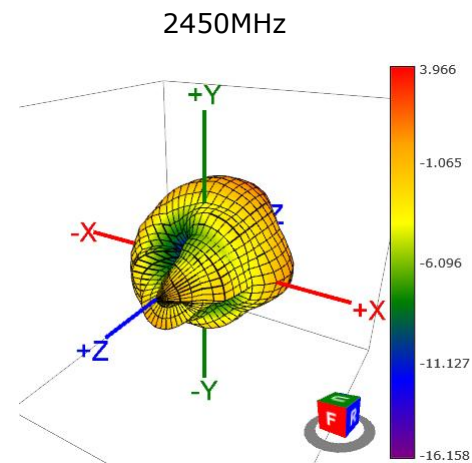
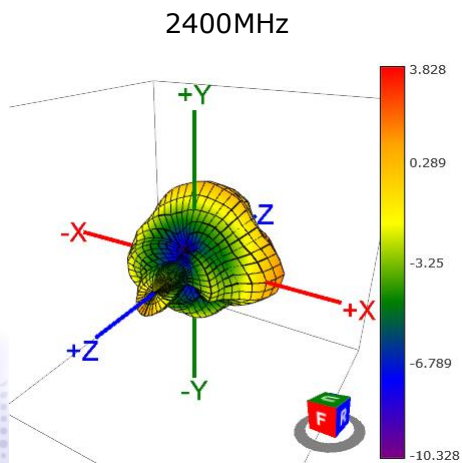


### IV. 2D Radiation Pattern:





### V. 3D Radiation Pattern:

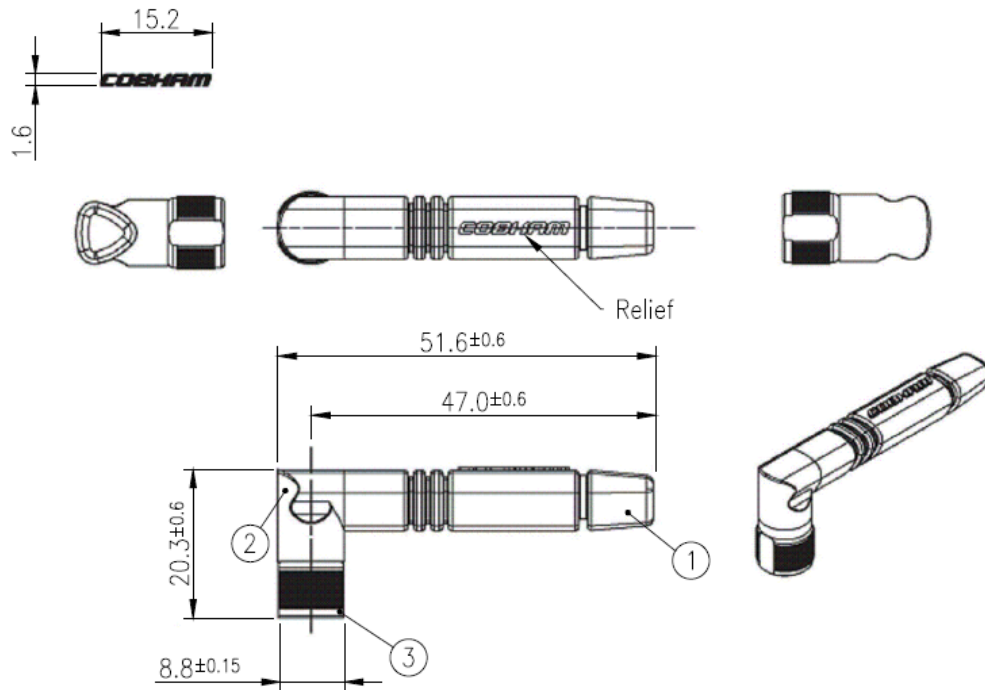




## VI. Mechanical Drawing (Unit:mm):

Specification for Cobham logo(TT94-137818):

Original 'Cobham' scaled to height 1.6 mm  
Inmould print. hight above surface 0.3mm.



Part material cannot reach ROHS.

3	RSMA(M) Connector	Brass/Teflon	Hexavalent black chromium	1
2	Fixed Base	ABS+PC	Black	1
1	Antenna Cover	TPR	Black	1
No	NAME	MATERIAL	FINISH	Q'TY

Notes:

1. Part material cannot reach ROHS.
2. IP Code : IP52.