



**Product Name :** 12\*12\*4mm GPS/GLONASS Ceramic Patch Antenna

**Part Number :** CP-124A-H-N01

**Features:**

- Support GPS/GLONASS Dual Bands
- Low Profile with 4mm Height
- 3dBi Peak Gain
- RoHS & REACH Compliant

**Applications:**

- Navigation System Application
- Personal Tracker Device

# 12\*12\*4mm GPS/GLONASS Ceramic Patch Antenna

## MODEL: CP-124A-H-N01

Rev.A

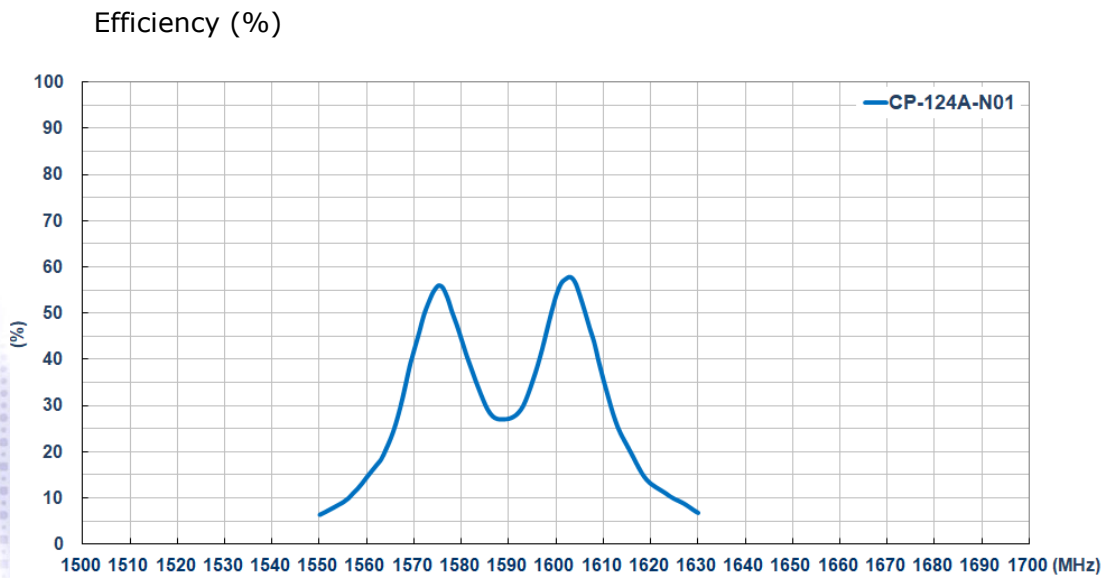
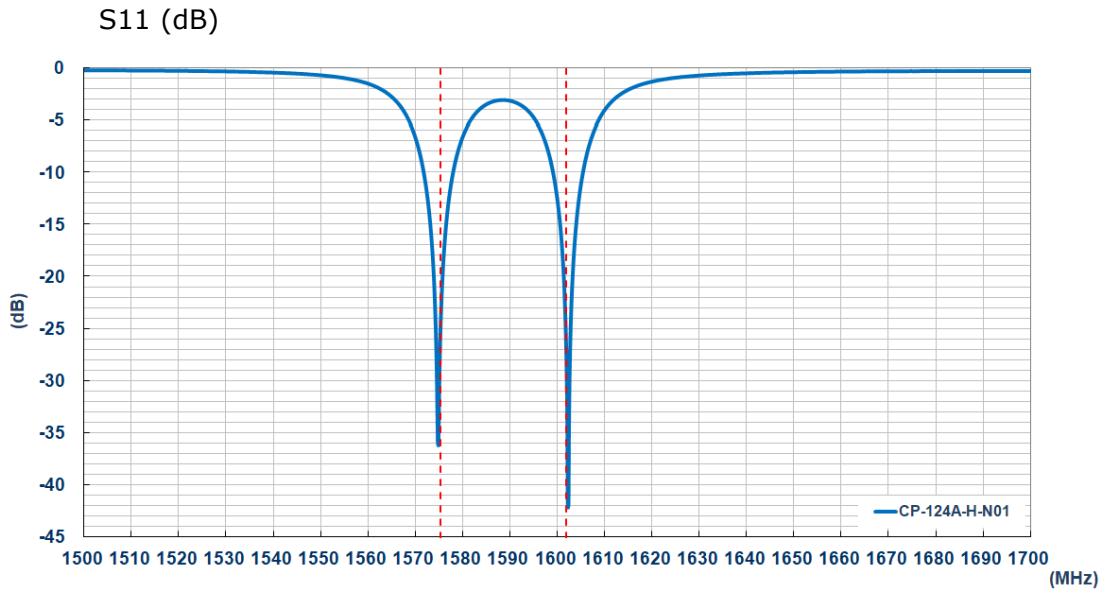
### I. Specifications:

| Items                                  | Specifications                                       |         |
|--|--|---------|
| <b>GNSS Electrical Characteristics</b> |  |         |
| <b>Application Bands</b>               | L1(GPS)  | GLONASS |
| <b>Frequencies (MHz)</b>               | 1575.42  | 1602    |
| <b>Efficiency (%)</b>                  | 55.98  | 57.41   |
| <b>Average Gain (dBi)</b>              | -2.52  | -2.41   |
| <b>Peak Gain (dBi)</b>                 | 3.27   | 3.63    |
| <b>V.S.W.R</b>                         | < 2  |         |
| <b>Return Loss (dB)</b>                | < -10  |         |
| <b>Test Condition</b>                  | 70.0 x 70.0 mm <sup>2</sup> (Ground Plane Dimension) |         |
| <b>Impedance (Ω)</b>                   | 50   |         |
| <b>Dimensions (mm)</b>                 | 12 x 12 x 4  |         |
| <b>Polarization</b>                    | R.H.C.P. (Right Handed Circular Polarization)        |         |
| <b>Environmental Conditions</b>        |  |         |
| <b>Operation Temperature (°C)</b>      | -40 ~ +85  |         |
| <b>Storage Temperature (°C)</b>        | -40 ~ +85  |         |
| <b>Relative Humidity</b>               | 95% non-condensing                                   |         |

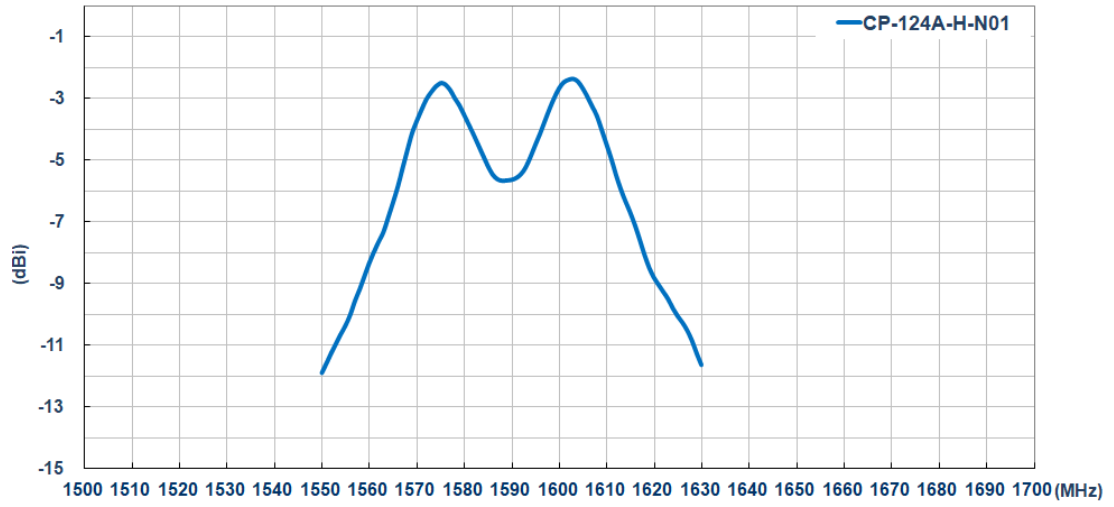
© Unictron Technologies Corp.  
All specifications subject to change without notice.

## II. Antenna Technical Parameters:

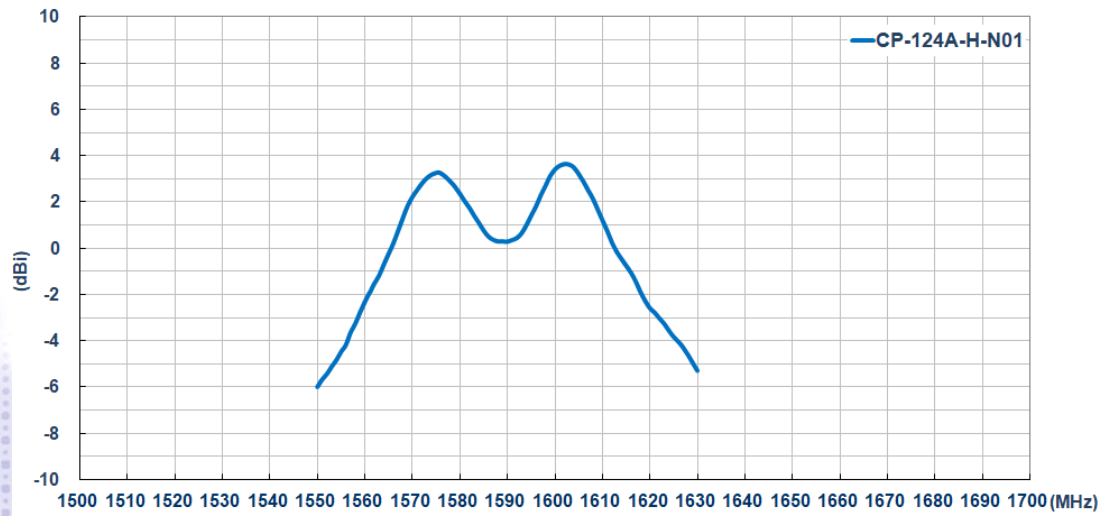
© Unictron Technologies Corp.  
All specifications subject to change without notice.



Average Gain (dBi)

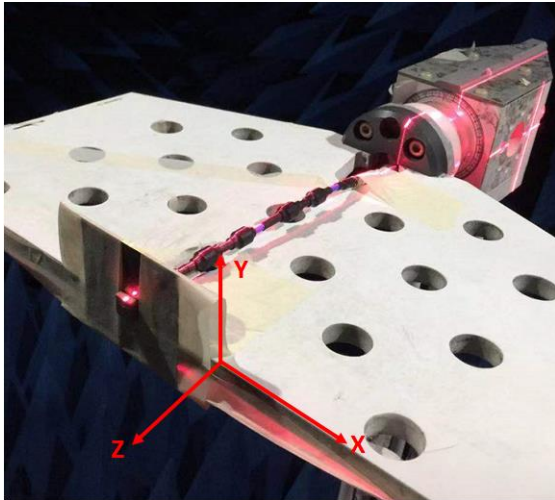


Peak Gain (dBi)



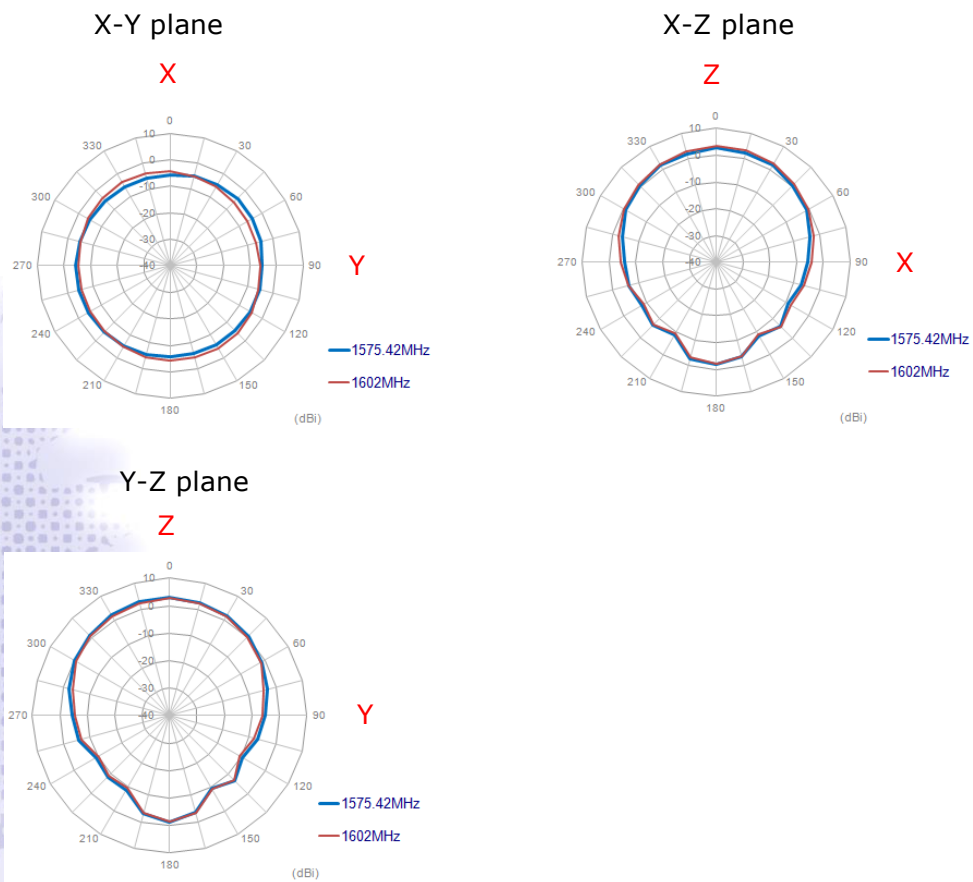
### III. Antenna Radiation Pattern Measurement:

The antenna radiation patterns are measured in 3D Anechoic Chamber. The measurement setup is as show below,

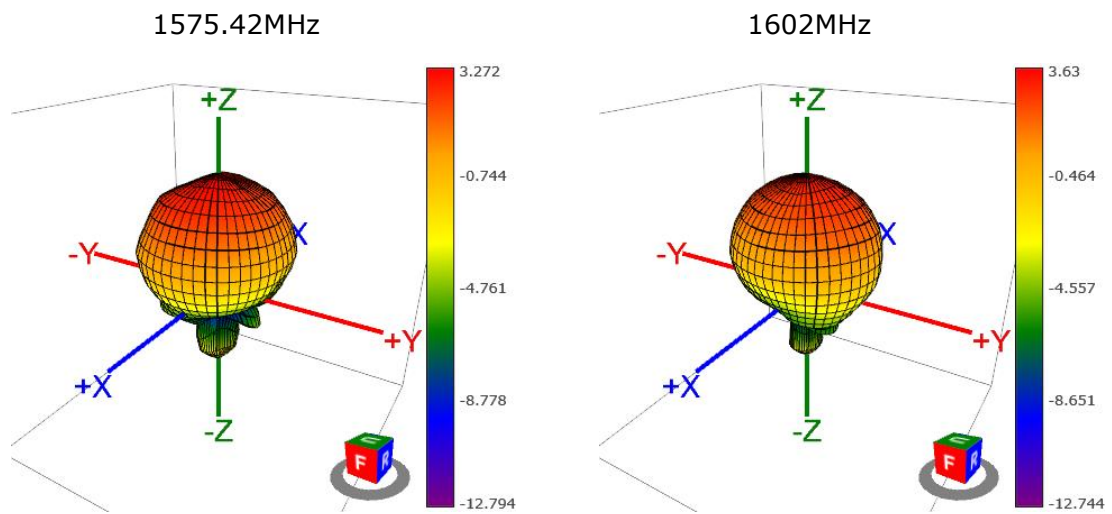


© Unictron Technologies Corp.  
All specifications subject to change without notice.

### IV. 2D Radiation Pattern:

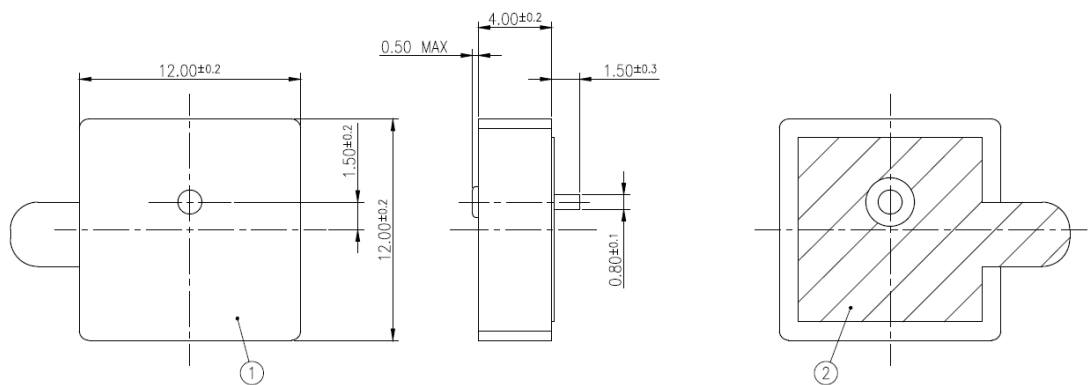


## V. 3D Radiation Pattern:



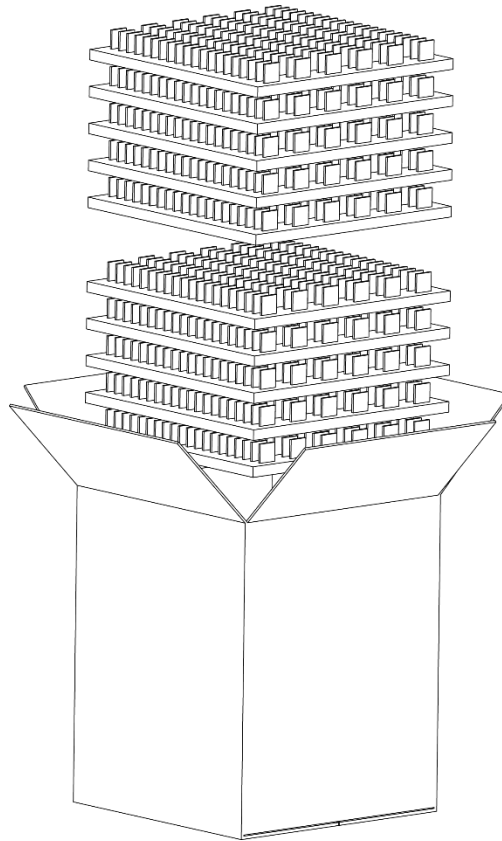
© Unictron Technologies Corp.  
All specifications subject to change without notice.

## VI. Mechanical Drawing (Unit:mm):

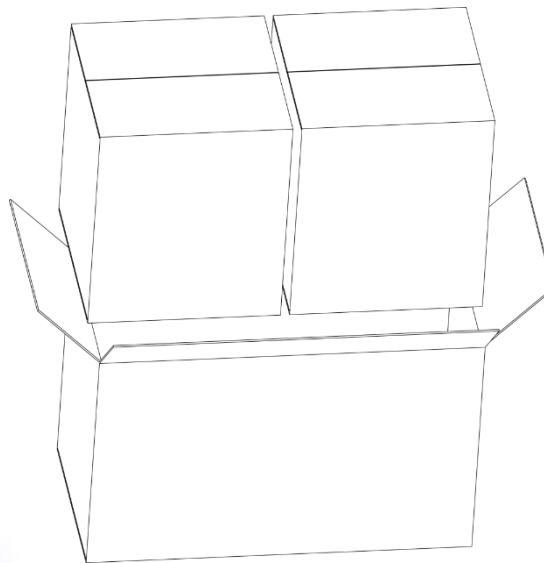


|    |          |          |             |      |
|----|----------|----------|-------------|------|
| 2  | Adhesive | 3M       | White Liner | 1    |
| 1  | Patch    | Ceramic  | Clear       | 1    |
| No | NAME     | MATERIAL | FINISH      | Q'TY |

## VII. Antenna Package :



Tray (20\*6 = 120 pcs )  
5 trays are wrapped by PE films.



1,200pcs are put into a box and 2 boxes into one carton.  
The carton dimension: 240 x480 x300 mm