

Product Name: 12*12*2mm GPS/GLONASS Ceramic Patch Antenna

Part Number: CP-122A-H-N01

Features:

- Support GPS / GLONASS Dual Bands
- Tiny Dimension with 2mm Height
- -1dBi Peak Gain

Applications:

- Navigation Device Application
- Personal Tracker

12*12*2mm Ceramic Patch Antenna

MODEL: CP-122A-H-N01

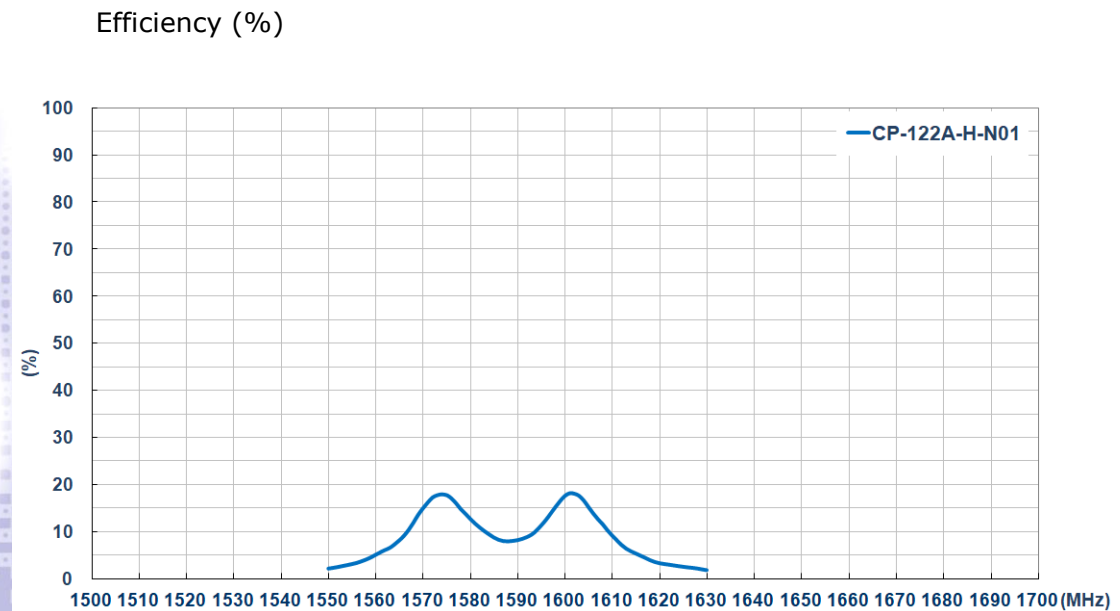
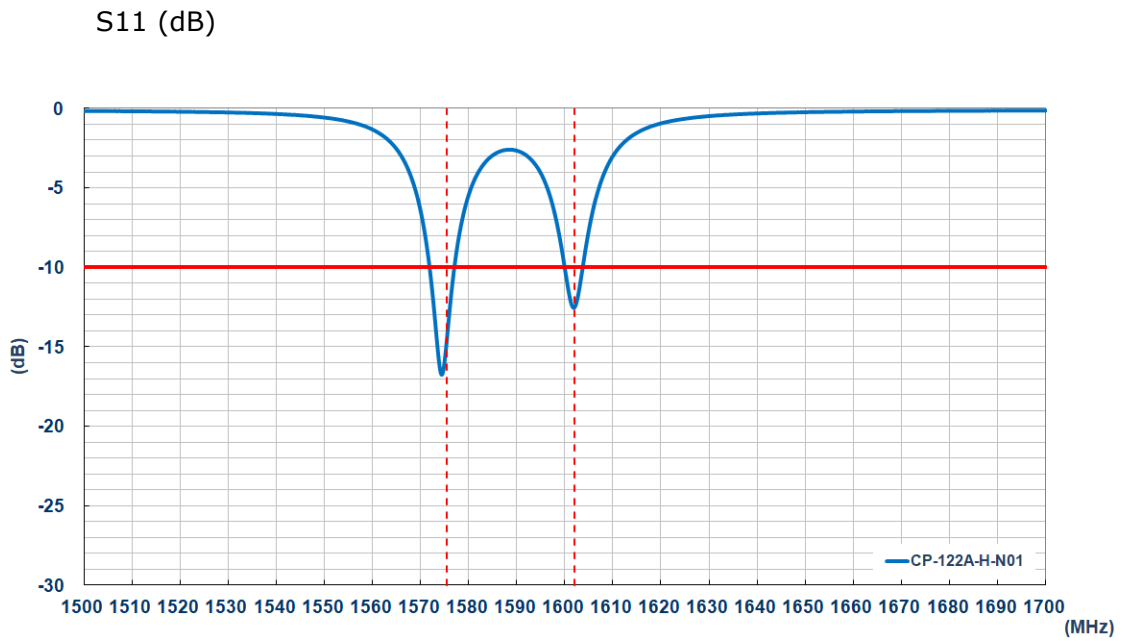
Rev.A

I. Specifications:

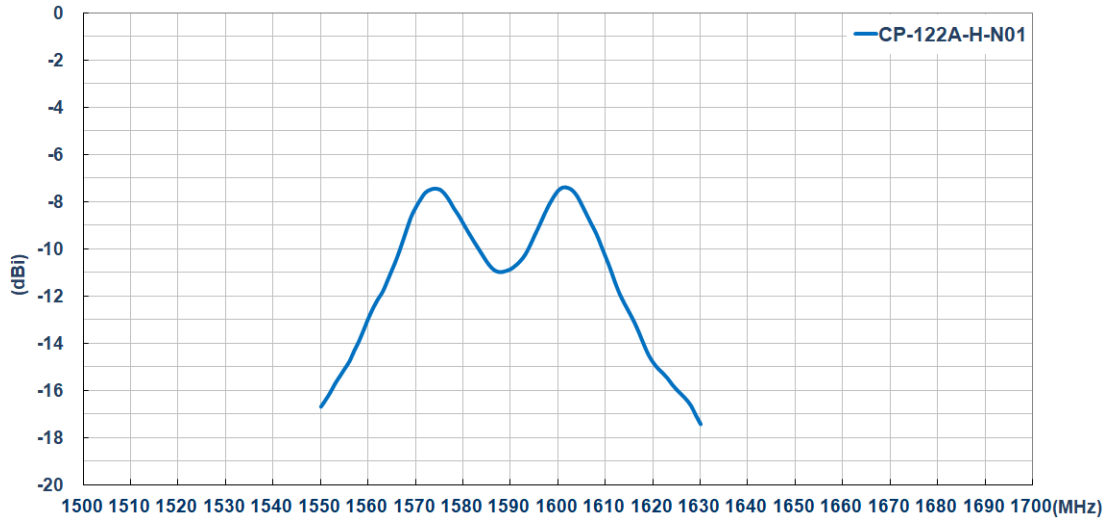
| Items | Specifications | |
|--|--|---------|
| GNSS Electrical Characteristics | | |
| Application Bands | L1(GPS) | GLONASS |
| Frequencies (MHz) | 1575.42 | 1602 |
| Efficiency (%) | 17.58 | 18.11 |
| Average Gain (dBi) | -7.55 | -7.42 |
| Peak Gain (dBi) | -1.35 | -1.23 |
| V.S.W.R | < 2 | |
| Return Loss (dB) | < -10 | |
| Test Condition | 70 x 70 mm ² (Ground Plane Dimension) | |
| Impedance (Ω) | 50 | |
| Dimension (mm) | 12 x 12 x 2 | |
| Polarization | R.H.C.P. (Right Handed Circular Polarization) | |
| Environmental Conditions | | |
| Operation Temperature (°C) | -40 ~ +85 | |
| Storage Temperature (°C) | -40 ~ +85 | |
| Relative Humidity | 95% non-condensing | |

© Unictron Technologies Corp.
All specifications subject to change without notice.

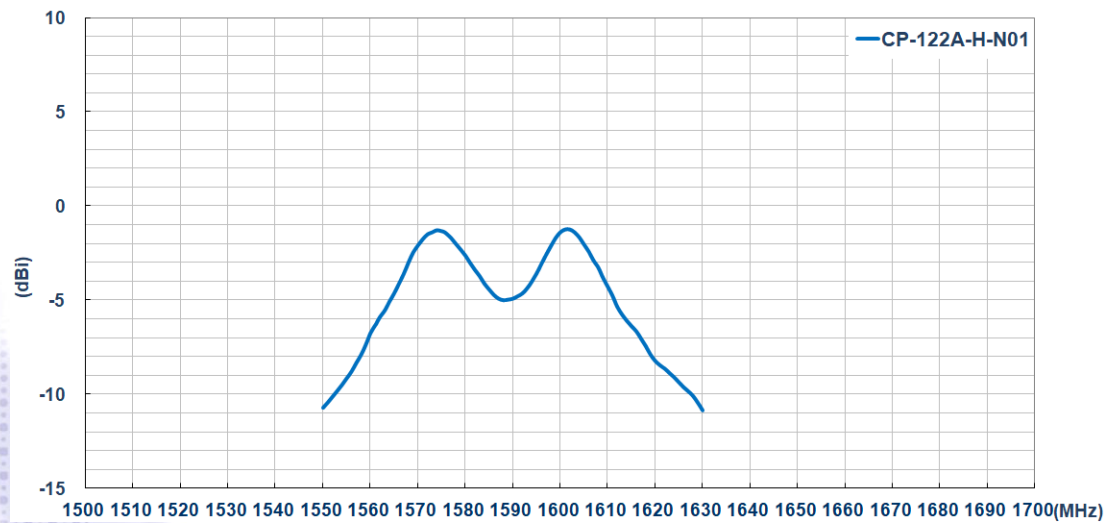
II. Antenna Technical Parameters:



Average Gain (dBi)

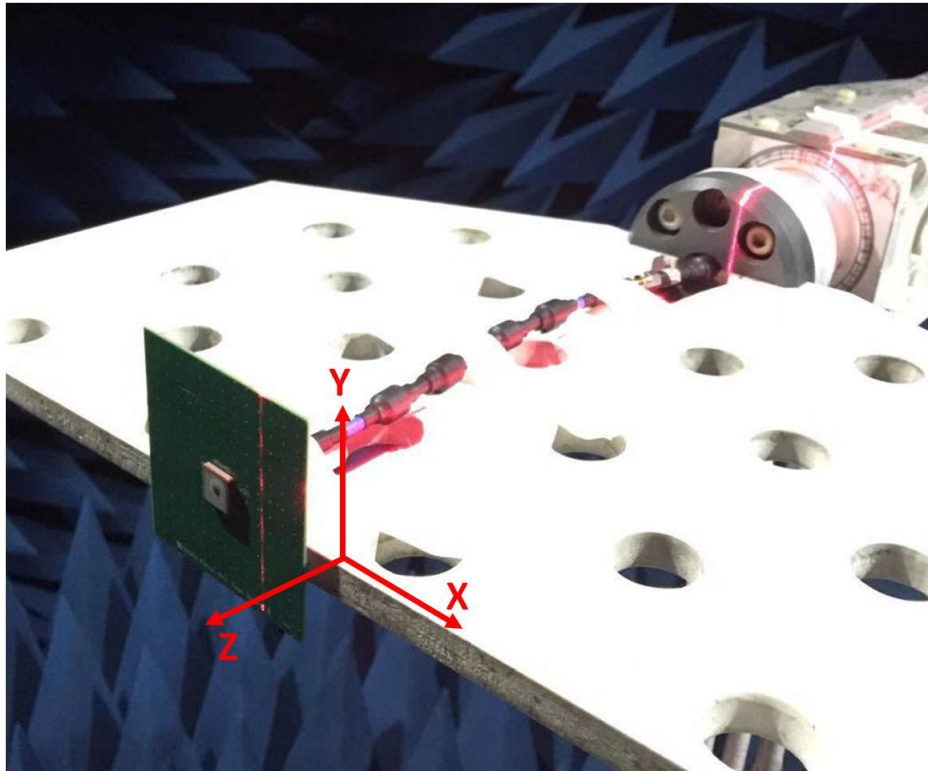


Peak Gain (dBi)

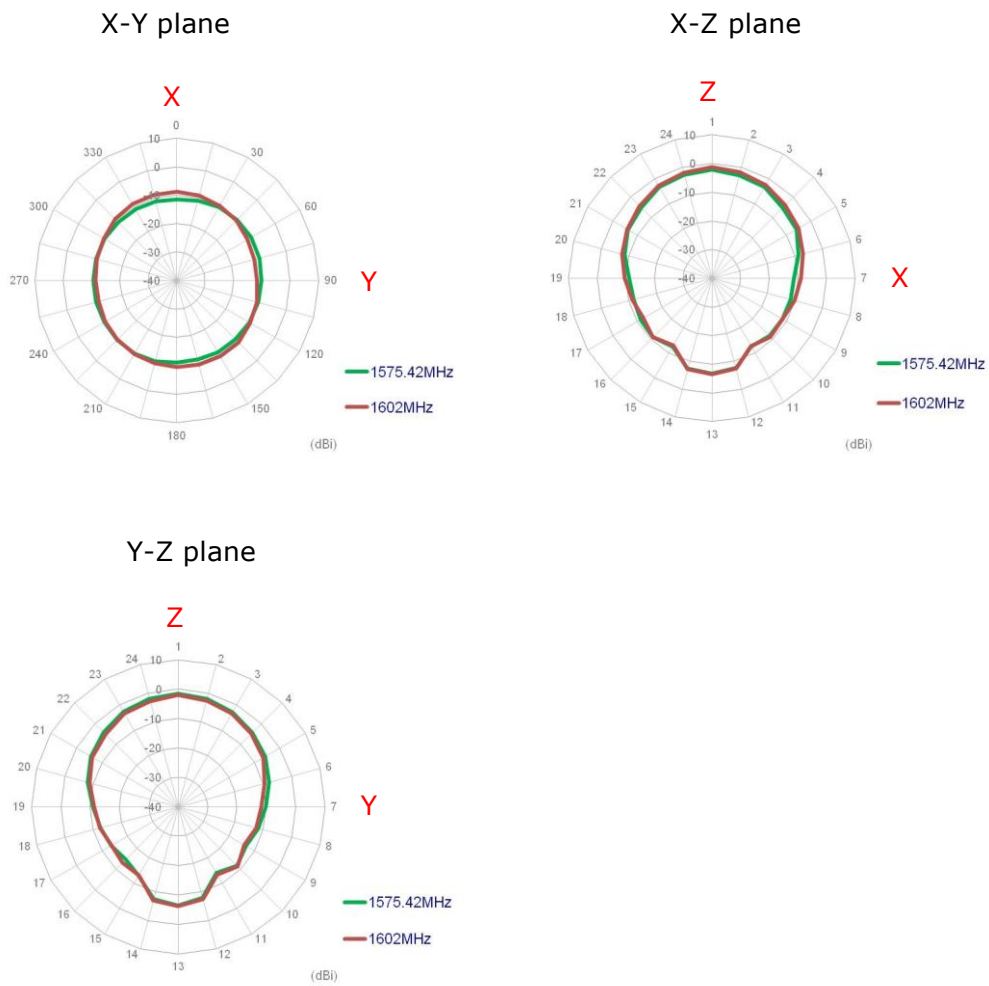


III. Antenna Radiation Pattern Measurement:

The antenna radiation patterns are measured in 3D Anechoic Chamber. The measurement setup is as show below,

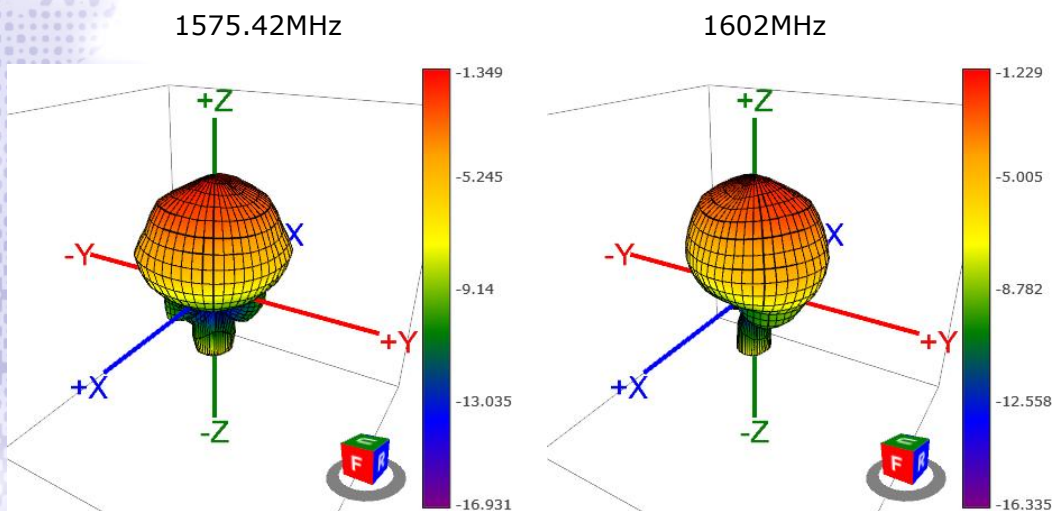


IV. 2D Radiation Pattern:

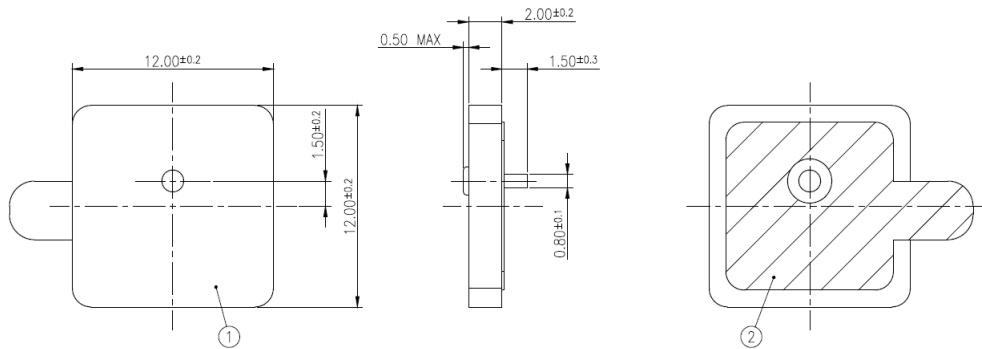


© Unictron Technologies Corp.
All specifications subject to change without notice.

V. 3D Radiation Pattern:



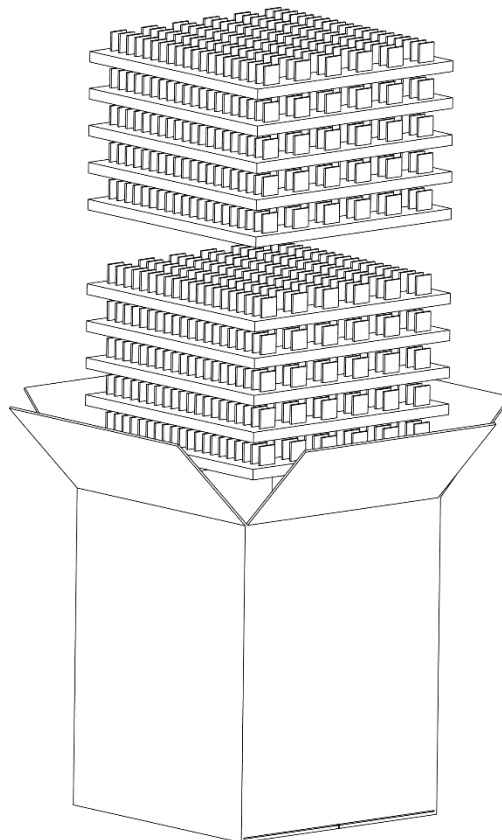
VI. Mechanical Drawing (Unit:mm):



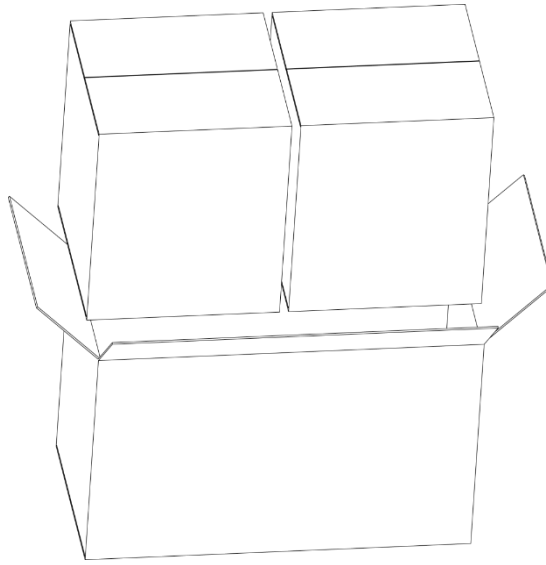
| | | | | |
|----|----------|----------|-------------|-----|
| 2 | Adhesive | 3M | White Liner | 1 |
| 1 | Patch | Ceramic | Clear | 1 |
| No | NAME | MATERIAL | FINISH | QTY |

© Unictron Technologies Corp.
All specifications subject to change without notice.

VII. Antenna Package :



Tray (20*6 = 120 pcs)
5 trays are wrapped by PE films.



1,200pcs are put into a box and 2 boxes into one carton.
The carton dimension: 240 x480 x300 mm