

# WiFi Dual Band PCB Substrate Antenna

**MODEL: AA222**

**P/N: H2B1PD1A1C0100**



## Features

- Stable and reliable in performances
- Compact size
- RoHS2.0 compliance

## Applications

- IEEE802.11n (a/b/g)
- Hand-held devices when WiFi(802.11n/a/b/g) functions are needed

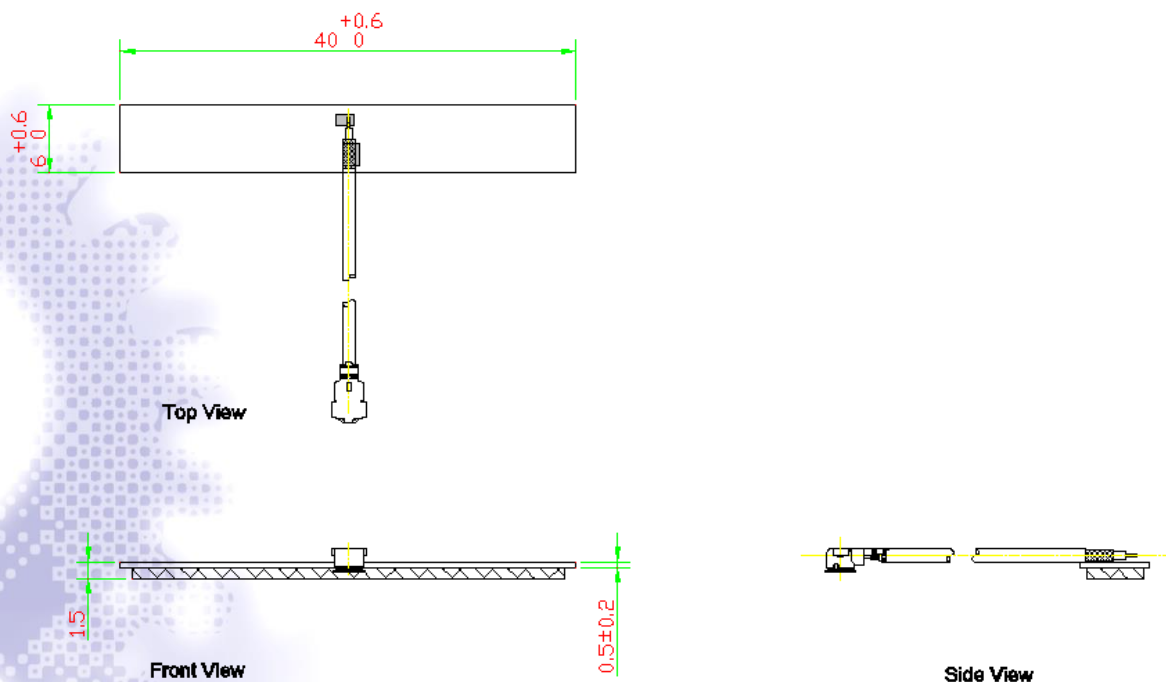
## Specifications

Items	Specifications	
<b>Frequencies (MHz)</b>	2400~2500	4900~5900
<b>VSWR</b>	2 Max.	2 Max.
<b>Efficiency (%)</b>	79 Typ.	79 Typ.
<b>Average Gain (dB)</b>	-1.0 Typ.	-1.0 Typ.
<b>Peak Gain (dBi)</b>	2.6 Typ.	3.3 Typ.
<b>Impedance (<math>\Omega</math>)</b>	50 Typ.	
<b>Polarization</b>	Linear Polarization	

Mechanical Specifications	
<b>Dimensions (mm)</b>	40 (L) x 6 (W) x 0.5 (H)
Environmental Conditions	
<b>Operation Temperature (<math>^{\circ}\text{C}</math>)</b>	-40 ~ +85
<b>Storage Temperature (<math>^{\circ}\text{C}</math>)</b>	-5 ~ +40
<b>Relative Humidity</b>	10 ~ 70 %

© Unictron Technologies Corp.  
All specifications subject to change without notice.

## Mechanical Dimensions (unit : mm)



\*This specification is subject to change without prior notice